



## Heyco® -Tite Aluminum Liquid Tight Cordgrips

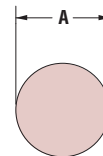
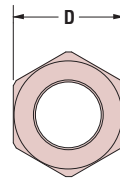
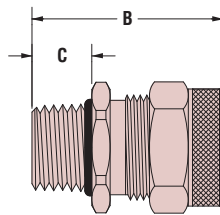
### Straight-Thru, NPT Hubs

*The Ultimate in Liquid Tight Strain Relief Protection*

- **Aluminum construction** provides excellent durability and performance for most **industrial applications**.
- For use in both indoor and outdoor applications to prevent cable pull-out, control arc of bend, and to provide a tight seal against environmental elements such as dirt, moisture, and coolants.
- IP 67 rated.
- Protect cable from damage and pull-out and are used in conduit hubs or knock-outs at the point where the electrical cable is to be terminated.
- Unique design with a combination tightening surface that includes both a hex area and a knurled surface.
- Anti-friction washer allows for easier compression.
- DFARS Compliant

CABLE DIA. RANGE				PART NO. Machined Aluminum	THREAD SIZE	UL	PART DIMENSIONS							
Minimum		Maximum					A Clearance Hole Dia.		B Max. O.A. Length		C Thread Length		D Wrenching Flat Size	
in.	mm.	in.	mm.				in.	mm.	in.	mm.	in.	mm.	in.	mm.
.125	3,2	.188	4,8	<b>M5000*</b>	NPT 1/4	UL	.54	13,7	1.38	35,1	.44	11,2	.88	22,4
.188	4,8	.250	6,4	<b>M5001</b>										
.250	6,4	.312	7,9	<b>M5002</b>										
.312	7,9	.375	9,5	<b>M5003</b>										
.125	3,2	.188	4,8	<b>M5005*</b>	NPT 3/8	UL	.68	17,3	1.38	35,1	.44	11,2	.88	22,4
.188	4,8	.250	6,4	<b>M5006</b>										
.250	6,4	.312	7,9	<b>M5007</b>										
.312	7,9	.375	9,5	<b>M5008</b>										
.125	3,2	.188	4,8	<b>M5010*</b>	NPT 1/2	UL	.88	22,4	1.38	35,1	.44	11,2	.88	22,4
.188	4,8	.250	6,4	<b>M5011</b>										
.250	6,4	.312	7,9	<b>M5012</b>										
.312	7,9	.375	9,5	<b>M5013</b>										
.375	9,5	.438	11,1	<b>M5014</b>										
.125	3,2	.188	4,8	<b>M5015*</b>	NPT 1/2	UL	.88	22,4	1.62	41,1	.56	14,2	1.13	28,7
.188	4,8	.250	6,4	<b>M5016</b>										
.250	6,4	.312	7,9	<b>M5017</b>										
.312	7,9	.375	9,5	<b>M5018</b>										
.375	9,5	.438	11,1	<b>M5019</b>										
.438	11,1	.500	12,7	<b>M5020</b>										
.500	12,7	.562	14,3	<b>M5021</b>										
.562	14,3	.625	15,9	<b>M5022</b>										

Assembled O-ring **INCLUDED**. \*Not UL Listed or CSA Certified.  
Locknut not included - See page 3-48 for Metal Locknuts.



**SUGGESTED CLEARANCE HOLE FOR NONTHREADED MOUNTING**

*Quick Specs*

Material  
Certifications

Aluminum with Neoprene Sealing Gland and Viton® O-Ring  
 UL Listed under Underwriters' Laboratories File E51579  
 SR Certified by Canadian Standard Association File 258093

Flammability Rating  
Temperature Range  
IP Rating

94V-2  
-40°F (-40°C) to 250°F (121°C)  
IP 67

“Stay Connected” with



Liquid Tight Cordgrips

a PennEngineering® Company



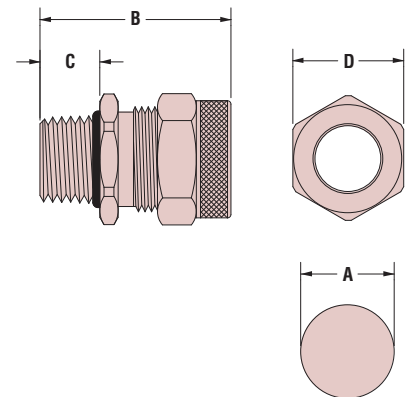
## Heyco® -Tite Aluminum Liquid Tight Cordgrips

### Straight-Thru, NPT Hubs

The Ultimate in Liquid Tight Strain Relief Protection

CABLE DIA. RANGE				PART NO. Machined Aluminum	THREAD SIZE	UL	PART DIMENSIONS							
Minimum		Maximum					A Clearance Hole Dia.		B Max. O.A. Length		C Thread Length		D Wrenching Flat Size	
in.	mm.	in.	mm.				in.	mm.	in.	mm.	in.	mm.	in.	mm.
.125	3,2	.188	4,8	<b>M5029</b>	NPT 3/4	UL	1.09	27,7	1.62	41,1	.56	14,2	1.13	28,7
.188	4,8	.250	6,4	<b>M5030</b>										
.250	6,4	.312	7,9	<b>M5031</b>										
.312	7,9	.375	9,5	<b>M5032</b>										
.375	9,5	.438	11,1	<b>M5033</b>										
.438	11,1	.500	12,7	<b>M5034</b>										
.500	12,7	.562	14,3	<b>M5035</b>										
.562	14,3	.625	15,9	<b>M5036</b>										
.438	11,1	.500	12,7	<b>M5037</b>	NPT 3/4	UL	1.09	27,7	1.82	46,2	.56	14,2	1.37	34,8
.500	12,7	.562	14,3	<b>M5038</b>										
.562	14,3	.625	15,9	<b>M5039</b>										
.562	14,3	.688	17,5	<b>M5040</b>										
.625	15,9	.750	19,1	<b>M5041</b>										
.688	17,5	.812	20,6	<b>M5042</b>										
.438	11,1	.562	14,3	<b>M5050</b>										
.562	14,3	.625	15,9	<b>M5051</b>										
.562	14,3	.688	17,5	<b>M5052</b>										
.625	15,9	.750	19,1	<b>M5053</b>										
.688	17,5	.812	20,6	<b>M5054</b>										
.750	19,1	.875	22,2	<b>M5055</b>										
.812	20,6	.938	23,8	<b>M5056</b>										
.875	22,2	1.000	25,4	<b>M5057*</b>										
.875	22,2	1.000	25,4	<b>M5058</b>	NPT 1	UL	1.38	35,1	2.50	63,5	.69	17,5	2.25	57,2
1.000	25,4	1.125	28,6	<b>M5059</b>										
1.125	28,6	1.250	31,8	<b>M5060</b>										
1.250	31,8	1.375	34,9	<b>M5061</b>										
.562	14,3	.688	17,5	<b>M5062</b>										
.688	17,5	.812	20,6	<b>M5063</b>	NPT 1-1/4	UL	1.72	43,7	2.50	63,5	.69	17,5	2.25	57,2
.750	19,1	.875	22,2	<b>M5064</b>										
.875	22,2	1.000	25,4	<b>M5065</b>										
1.000	25,4	1.125	28,6	<b>M5066</b>										
1.125	28,6	1.250	31,8	<b>M5067</b>										
1.250	31,8	1.375	34,9	<b>M5068</b>										

- **Aluminum construction** provides excellent durability and performance for most **industrial applications**.
- For use in both indoor and outdoor applications to prevent cable pull-out, control arc of bend, and to provide a tight seal against environmental elements such as dirt, moisture, and coolants.
- IP 67 rated.
- Protect cable from damage and pull-out and are used in conduit hubs or knock-outs at the point where the electrical cable is to be terminated.
- Unique design with a combination tightening surface that includes both a hex area and a knurled surface.
- Anti-friction washer allows for easier compression.
- DFARS Compliant



SUGGESTED CLEARANCE HOLE FOR NONTHEADED MOUNTING

Assembled O-ring **INCLUDED**. \*Not UL Listed or CSA Certified.  
Locknut not included - See page 3-48 for Metal Locknuts.

Material	Aluminum with Neoprene Sealing Gland and Viton® O-Ring
Certifications	UL Listed under Underwriters' Laboratories File E51579 CSA Certified by Canadian Standard Association File 258093
Flammability Rating	94V-2
Temperature Range	-40°F (-40°C) to 250°F (121°C)
IP Rating	IP 67

Quick Specs

“Stay Connected” with

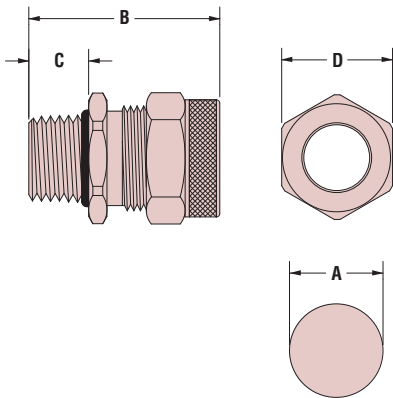


Liquid Tight Cordgrips

a PennEngineering® Company



- **Aluminum construction** provides excellent durability and performance for most **industrial applications**.
- For use in both indoor and outdoor applications to prevent cable pull-out, control arc of bend, and to provide a tight seal against environmental elements such as dirt, moisture, and coolants.
- IP 67 rated.
- Protect cable from damage and pull-out and are used in conduit hubs or knock-outs at the point where the electrical cable is to be terminated.
- Unique design with a combination tightening surface that includes both a hex area and a knurled surface.
- Anti-friction washer allows for easier compression.
- DFARS Compliant



SUGGESTED CLEARANCE HOLE FOR NONTHREADED MOUNTING

## Heyco® -Tite Aluminum Liquid Tight Cordgrips

### Straight-Thru, NPT Hubs

The Ultimate in Liquid Tight Strain Relief Protection

CABLE DIA. RANGE				PART NO. Machined Aluminum	THREAD SIZE	UL	PART DIMENSIONS														
Minimum		Maximum					A Clearance Hole Dia.		B Max. O.A. Length		C Thread Length		D Wrenching Flat Size								
in.	mm.	in.	mm.				in.	mm.	in.	mm.	in.	mm.	in.	mm.							
<b>Machined Aluminum</b>																					
.562	14,3	.688	17,5	<b>M5069*</b>	NPT 1-1/2	UL	1.97	50,0	2.50	63,5	.69	17,5	2.25	57,2							
.688	17,5	.812	20,6	<b>M5070</b>																	
.750	19,1	.875	22,2	<b>M5071</b>																	
.875	22,2	1.000	25,4	<b>M5072</b>																	
1.000	25,4	1.125	28,6	<b>M5073</b>																	
1.125	28,6	1.250	31,8	<b>M5074</b>																	
1.250	31,8	1.375	34,9	<b>M5075</b>																	
1.250	31,8	1.375	34,9	<b>M5080</b>	NPT 2	UL	2.46	62,5	3.12	79,2	.80	20,3	2.83	71,9							
1.312	33,3	1.437	36,5	<b>M5081</b>																	
1.438	36,5	1.562	39,7	<b>M5082</b>																	
1.562	39,7	1.688	42,9	<b>M5083</b>																	
1.688	42,9	1.812	46,0	<b>M5084</b>																	
<b>Cast Aluminum</b>																					
1.688	42,9	1.812	46,0	<b>M5091</b>											NPT 2-1/2	UL	2.96	75,2	4.20	106,7	1.28
1.812	46,0	1.938	49,2	<b>M5092</b>																	
1.938	49,2	2.062	52,4	<b>M5093</b>																	
2.062	52,4	2.188	55,6	<b>M5094</b>																	
2.188	55,6	2.312	58,7	<b>M5095</b>																	
2.312	58,7	2.438	61,9	<b>M5096</b>																	
1.688	42,9	1.812	46,0	<b>M5097</b>	NPT 3	UL	3.58	90,9	4.20	106,7	1.31	33,3	4.00	101,6							
1.812	46,0	1.938	49,2	<b>M5098</b>																	
1.938	49,2	2.062	52,4	<b>M5099</b>																	
2.062	52,4	2.188	55,6	<b>M5100</b>																	
2.188	55,6	2.312	58,7	<b>M5101</b>																	
2.312	58,7	2.438	61,9	<b>M5102</b>																	
2.437	61,9	2.625	66,7	<b>M5103</b>											NPT 3	*	3.50	88,9	4.85	123,2	1.39
2.625	66,7	2.812	71,4	<b>M5104</b>																	
2.812	71,4	3.000	76,2	<b>M5105</b>																	
3.000	76,2	3.250	82,6	<b>M5106</b>																	

Assembled O-ring **INCLUDED**. \*Not UL Listed or CSA Certified.  
Locknut not included - See page 3-48 for Metal Locknuts.

Quick Specs

Material	Aluminum with Neoprene Sealing Gland and Viton® O-Ring
Certifications	UL Listed under Underwriters' Laboratories File E51579 CSA Certified by Canadian Standard Association File 258093
Flammability Rating	94V-2
Temperature Range	-40°F (-40°C) to 250°F (121°C)
IP Rating	IP 67