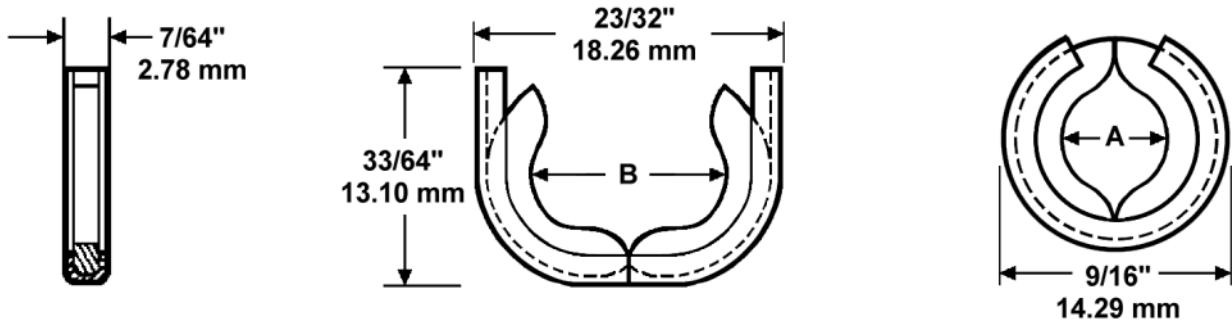
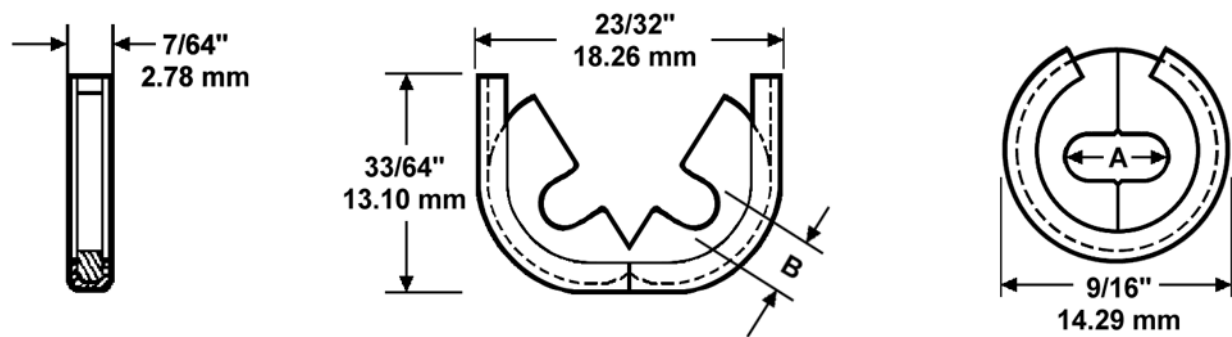


Gripmaster Strain Reliefs - Insulated



Part Number		Approximate Cord O.D.		Part Dimensions			
Insert Material				A		B	
Fiber	Phenolic	in.	mm.	in.	mm.	in.	mm.
1-F	1-B	.250	6.35	.187	4.76	.343	8.73
2-F	2-B	.312	7.94	.250	6.35	.406	10.32
3-F	3-B	.187	4.76	.125	3.17	.281	7.14
6-F	6-B	.343	8.73	.312	7.94	.453	11.51
7-F	7-B	.125	3.17	.093	2.38	.250	6.35



Part Number		Approximate Cord O.D.		Part Dimensions			
Insert Material				A		B	
Fiber	Phenolic	in.	mm.	in.	mm.	in.	mm.
8-F	8-B	.125 x .210	3.17 x 5.55	.170	4.32	.085	2.16
9-F	9-B	.140 x .285	3.56 x 7.24	.240	6.10	.100	2.54

Materials:

(F) Fiber Insert: Black Commercial Forbon per MIL-F-1148 and Fed. Spec. ASTM-D-710.

Temperature rating: Electrical 115°C; Mechanical 110°C

(B) Phenolic Insert: Nema grade XPC-T, UL Flame Class 94 HB.

Temperature rating: Electrical 130°C; Mechanical 130°C

Frame: The Insulated Gripmaster strain relief U-Channel frame is made from cold rolled steel with .002 thick zinc plating.

Tools: #385 handtool is available for manual installation of insulated gripmaster strain reliefs

UL: Gripmaster strain reliefs are a proprietary product that will meet U.L. requirements for a 35-pound pull test.



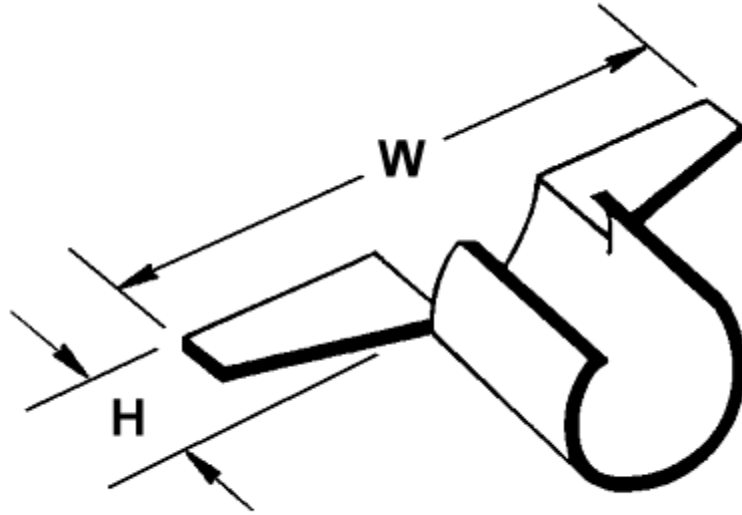
P.O. Box 678 Waukesha, Wisconsin 53187

(262) 820-1060 (800) 558-4388

Fax (262)-820-1070

www.cablecomponentsinc.com

Gripmaster Strain Reliefs – All Metal



T = Material Thickness

Part Number	Approximate Cord O.D.		W		H		T	
	in.	mm.	in.	mm.	in.	mm.	in.	mm.
209-0	.250	6.35	.730	18.50	.100	2.54	.032	.813
209-1	.312	7.94	.812	20.60	.120	3.05	.032	.813
209-2	.375	9.52	.968	24.60	.170	4.31	.046	1.168

Materials: The Gripmaster all-metal strain relief is made from cold rolled steel with .002 thick zinc plating.

UL: Gripmaster strain reliefs are a proprietary product that will meet U.L. requirements for a 35-pound pull test.

Cable Components, Inc.

P.O. Box 678 Waukesha, Wisconsin 53187

(262) 820-1060 (800) 558-4388

Fax (262)-820-1070

www.cablecomponentsinc.com